

Powłoka żelkotowa  
kolor RAL

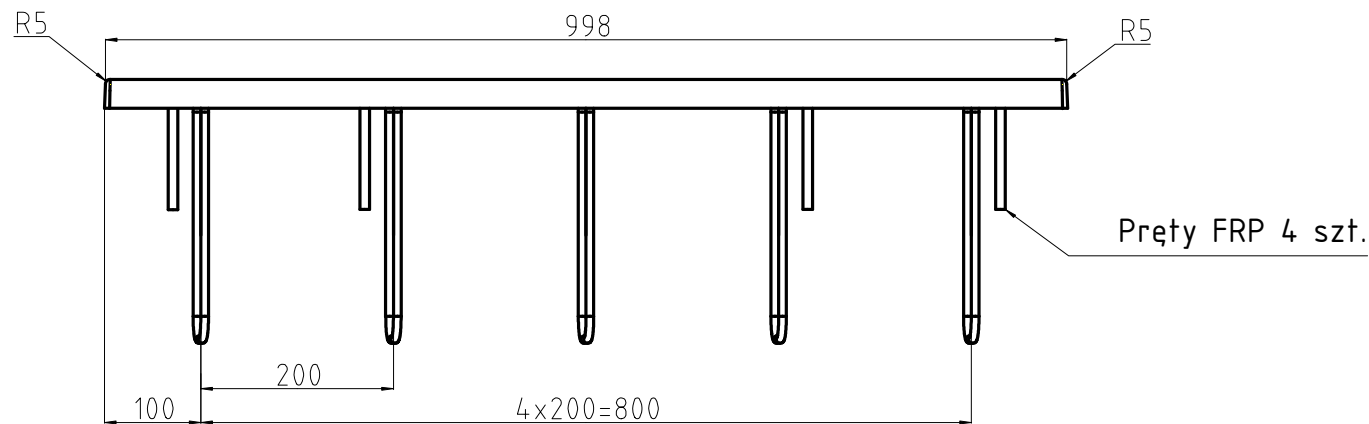
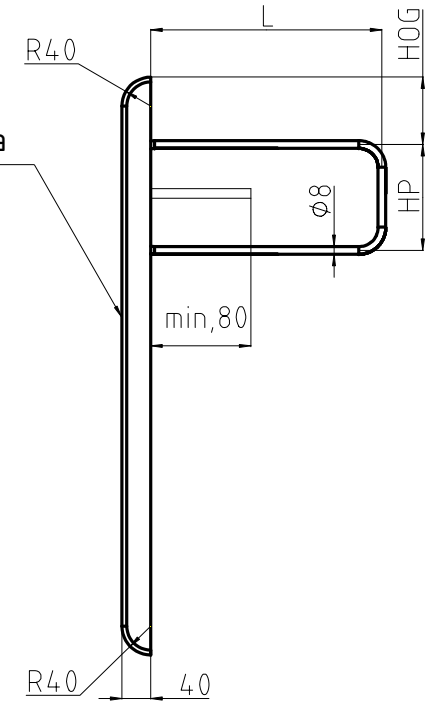


TABELA			
B	L	HP	HOG

NOTE:  
1.-ALL THE DIMENSIONS ARE IN mm.

CONFIDENTIAL  
This drawing is property of  
SYSTEMY I TECHNOLOGIE Sp. z o.o.  
Design and technology included are patented  
Prohibited any total partial reproduction  
unless expressly authorized by  
SYSTEMY I TECHNOLOGIE Sp. z o.o.

**SYTEC**  
SYSTEMY I TECHNOLOGIE Sp. z o.o.  
Ul. Kopalniana 7  
59-100 POLKOWICE-Poland  
TEL.(48)(76)72 34 238 FAX. (48)(76)72 34 216

NAZWA ELEMENTU:

Gzyms płaski

OZNACZENIE ELEMENTU:

MG01