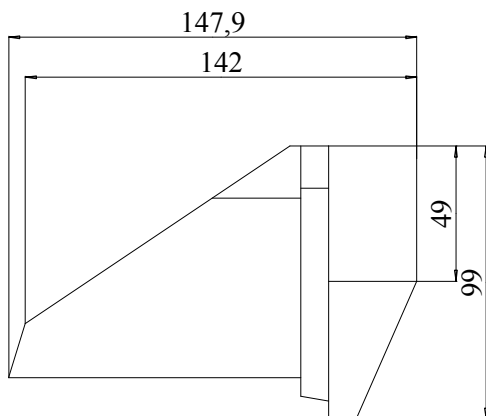
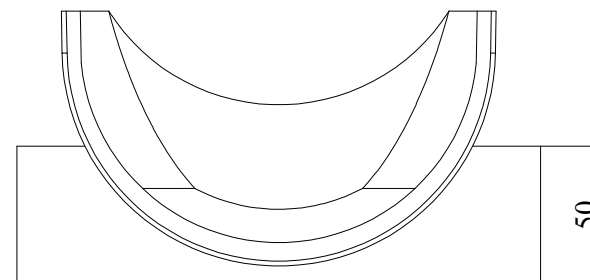


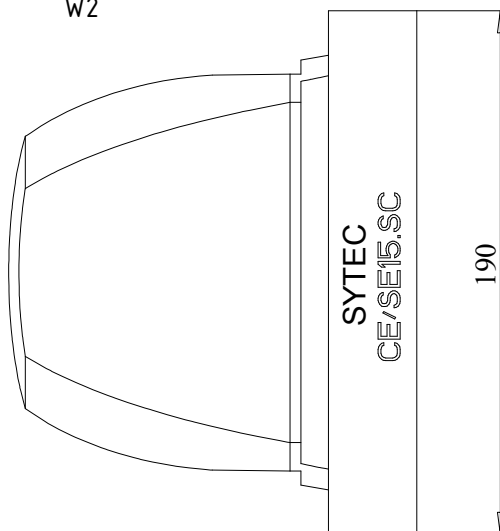
W1



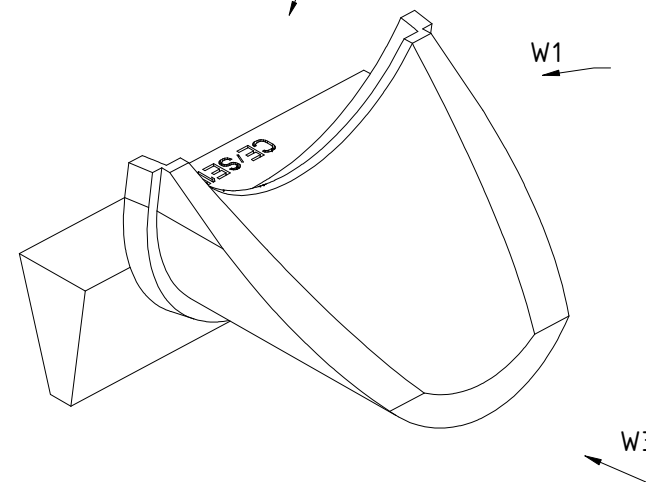
W3



W2



W2 ↙



W1 ←

W3 ↙

WAGA 1.5 kg

<p>CONFIDENTIAL</p> <p>This drawing is property of SYSTEMY I TECHNOLOGIE Sp. z o.o. Design and technology included are patented. Prohibited any total or partial reproduction unless expressly authorized by SYSTEMY I TECHNOLOGIE Sp. z o.o.</p>	<p><b>SYTEC</b></p> <p>SYSTEMY I TECHNOLOGIE Sp. z o.o. Ul. Kopalniana 7 59-100 POLKOWICE-Poland TEL.(48)(76)72 34 238 FAX. (48)(76)72 34 216</p>	<p>NAZWA ELEMENTU: <b>ŁĄCZNIK KASKADOWY</b></p> <p>OZNACZENIE ELEMENTU: <b>CE/SE15.SC</b></p>
-----------------------------------------------------------------------------------------------------------------------------------------------------------------------------------------------------------------------------------------------------------------------	---------------------------------------------------------------------------------------------------------------------------------------------------------------	-------------------------------------------------------------------------------------------------------