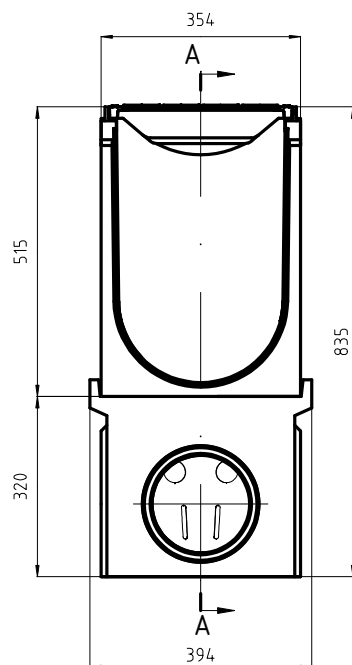
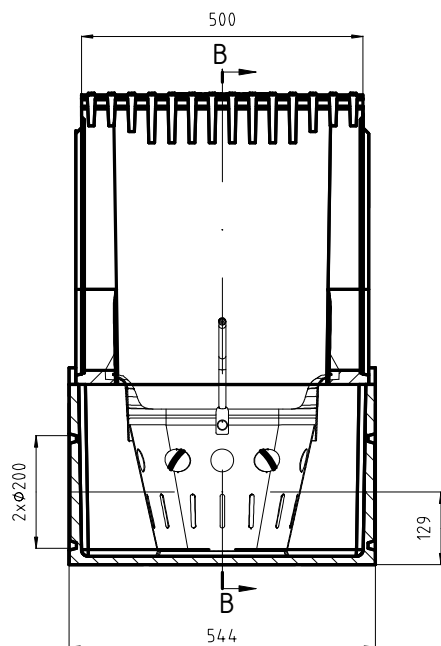


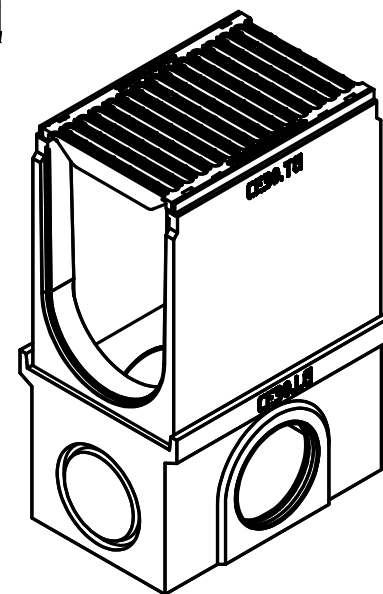
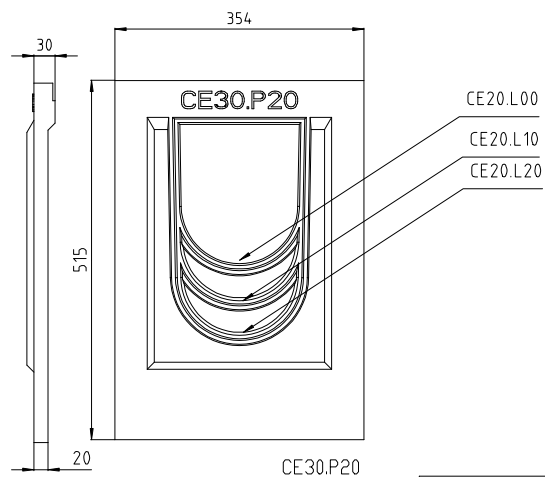
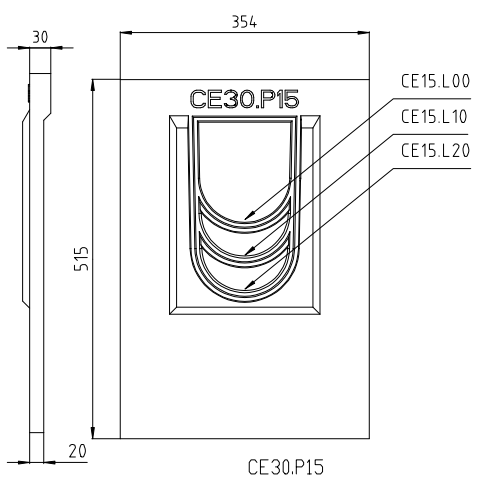
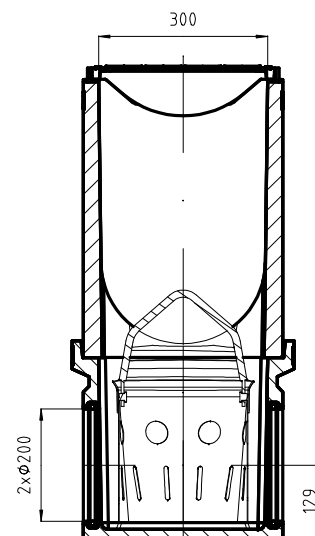
W1



A - A



B - B



W1

<p>CONFIDENTIAL This drawing is property of SYSTEMY I TECHNOLOGIE Sp. z o.o. Design and technology included are patented. Prohibited any total or partial reproduction unless expressly authorized by SYSTEMY I TECHNOLOGIE Sp. z o.o.</p>	<p>SYTEC SYSTEMY I TECHNOLOGIE Sp. z o.o. Ul. Kopalniana 7 59-100 POLKOWICE-Poland TEL.(48)(76)72 34 238 FAX. (48)(76)72 34 216</p>	<p>NAZWA ELEMENTU: Studnia uniwersalna OZNACZENIE ELEMENTU: CE30.SG</p>
--------------------------------------------------------------------------------------------------------------------------------------------------------------------------------------------------------------------------------------------------------------------	------------------------------------------------------------------------------------------------------------------------------------------------------------	---------------------------------------------------------------------------------------------------