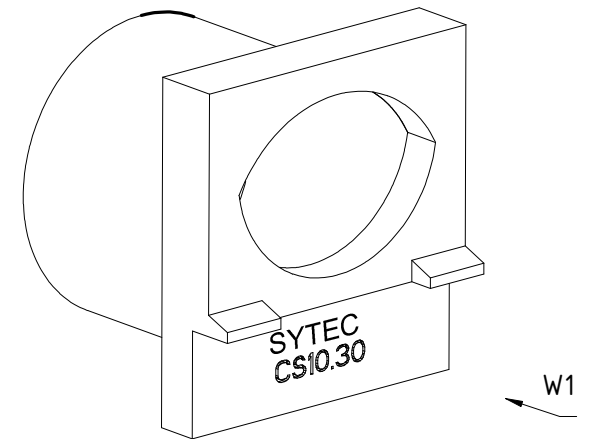
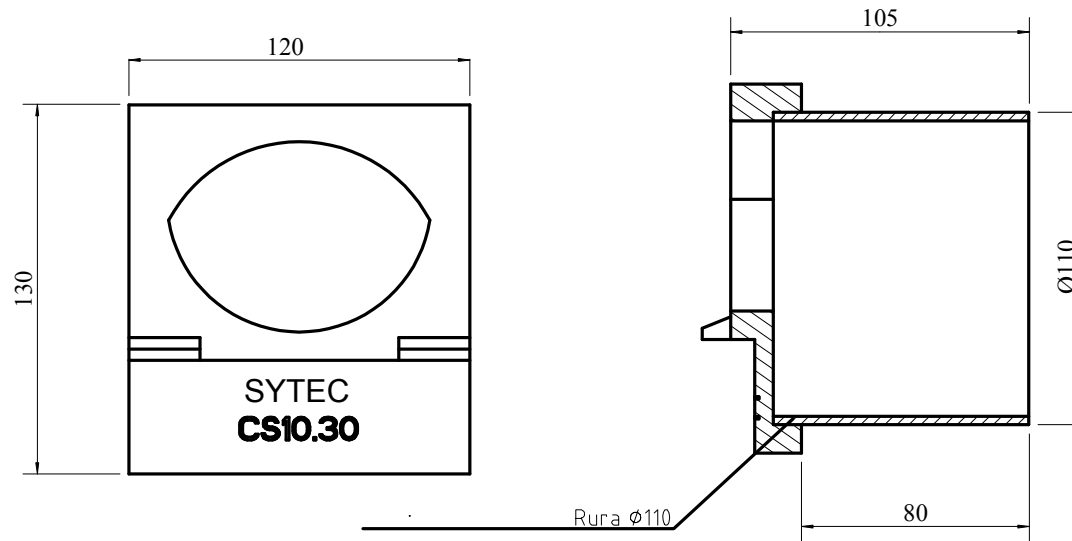


W1



WAGA 0.43 kg

CONFIDENTIAL

This drawing is property of  
SYSTEMY I TECHNOLOGIE Sp. z o.o.  
Design and technology included are patented.  
Prohibited any total or partial reproduction  
unless expressly authorized by  
SYSTEMY I TECHNOLOGIE Sp. z o.o.

**SYTEC**

SYSTEMY I TECHNOLOGIE Sp. z o.o.

Ul. Kopalniana 7

59-100 POLKOWICE-Poland

TEL.(48)(76)72 34 238 FAX. (48)(76)72 34 216

NAZWA ELEMENTU:

Zaślepka odptywowa

OZNACZENIE ELEMENTU:

CS10.30