

W1

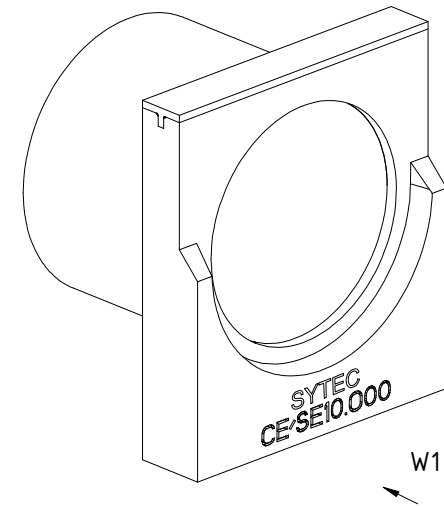
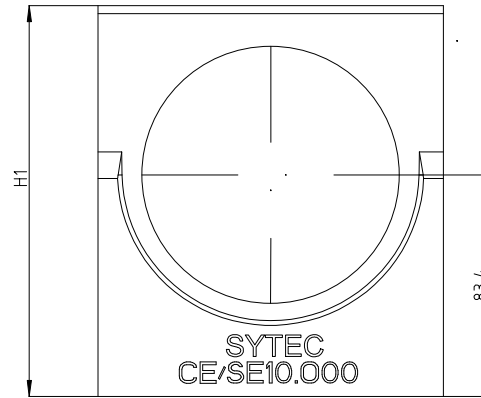
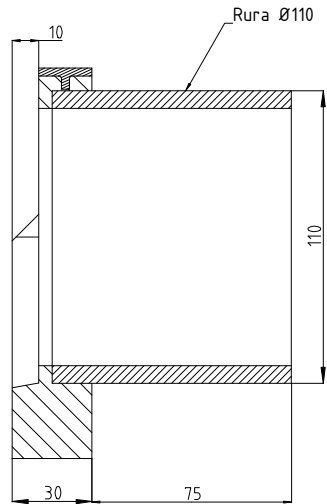


TABELA WYMIARÓW		
TYP	H1	WAGA (kg)
CE/SE10.000	147	0.6
CE/SE10.010	207	1.0
CE/SE10.020	267	1.4

<p>CONFIDENTIAL</p> <p>This drawing is property of SYSTEMY I TECHNOLOGIE Sp. z o.o. Design and technology included are patented. Prohibited any total or partial reproduction unless expressly authorized by SYSTEMY I TECHNOLOGIE Sp. z o.o.</p>	<p>SYTEC</p> <p>SYSTEMY I TECHNOLOGIE Sp. z o.o. Ul. Kopalniana 7 59-100 POLKOWICE-Poland TEL.(48)(76)72 34 238 FAX. (48)(76)72 34 216</p>	<p>NAZWA ELEMENTU:</p> <p>ZASLEPKA ODPŁYWOWA</p>
		<p>OZNACZENIE ELEMENTU:</p> <p>CE/SE10.0</p>