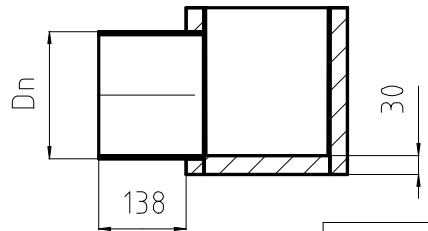
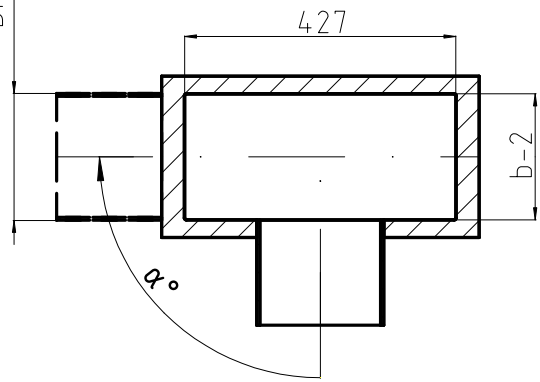


Dn=200 dla SE/CE20
 Dn=160 dla SE/CE15
 Dn=110 dla SE/CE10

A - A

B - B



TYPE	B	a	b	WEIGHT
M20.SB.n.X.alpha	254	130	200	93.8+nx37.2 kg
M10.SB.n.X.alpha	154	110	100	74.1+nx31.5 kg

n - ilość segmentów pośrednich
 X - Class C250-F900 wg EN-1433
 alpha - 0°, 90°, 180°, 270°

CONFIDENTIAL This drawing is property of SYSTEMY I TECHNOLOGIE Sp. z o.o. Design and technology included are patented. Prohibited any total partial reproduction unless expressly authorized by SYSTEMY I TECHNOLOGIE Sp. z o.o.	SYTEC SYSTEMY I TECHNOLOGIE Sp. z o.o. Ul. Kopalniana 7 59-100 POLKOWICE-Poland	NAZWA ELEMENTU: SILT BOX TYPE M
		OZNACZENIE ELEMENTU: TABLE