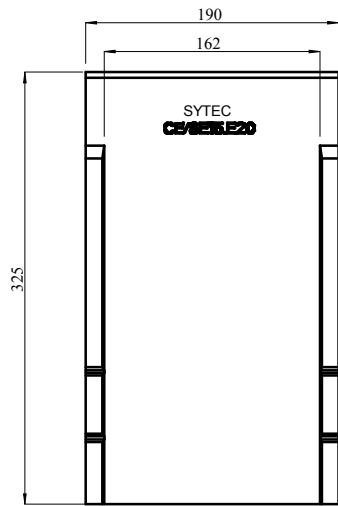
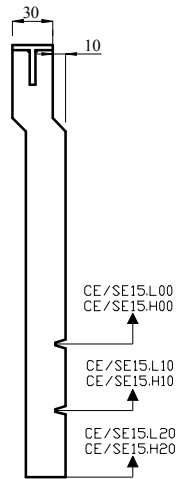


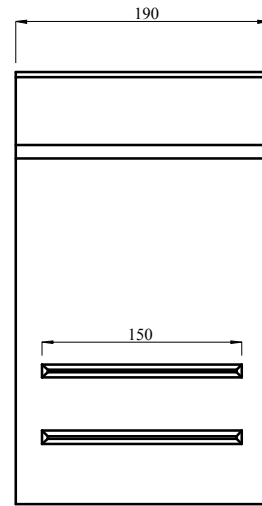
W1



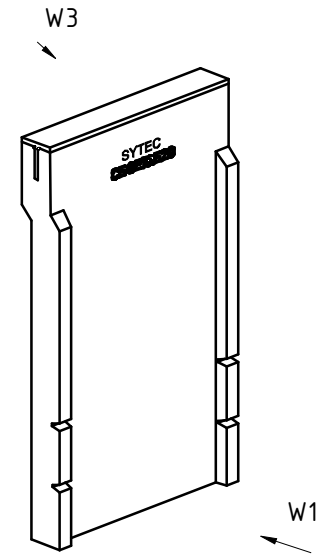
W2



W3



W2



WAGA 3.1 kg

CONFIDENTIAL

This drawing is property of
 SYSTEMY I TECHNOLOGIE Sp. z o.o.
 Design and technology included are patented.
 Prohibited any total or partial reproduction
 unless expressly authorized by
 SYSTEMY I TECHNOLOGIE Sp. z o.o.



SYSTEMY I TECHNOLOGIE Sp. z o.o.

Ul. Kopalniana 7

59-100 POLKOWICE-Poland

TEL (48)(76)72 34 238 FAX (48)(76)72 34 216

NAZWA ELEMENTU:

ZAŚLEPKA

OZNACZENIE ELEMENTU:

CE/SE15.E20