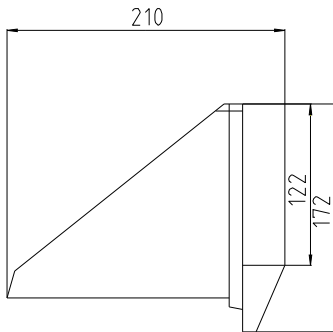
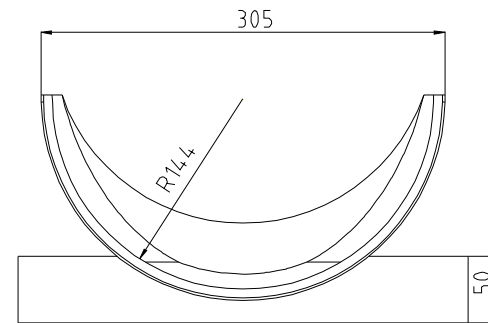


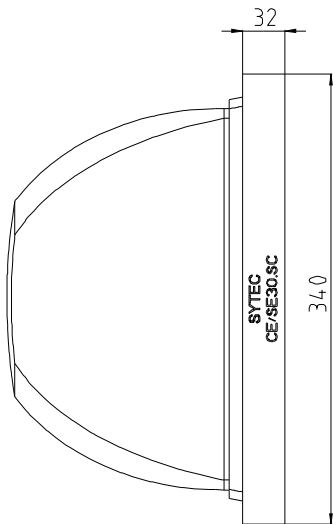
W1



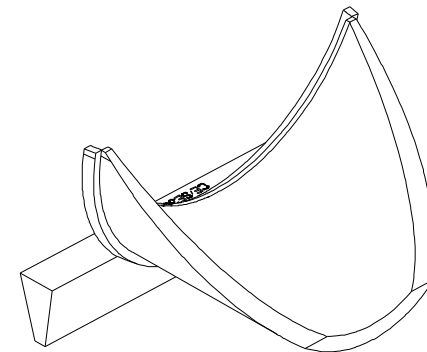
W3



W2



W2 ↓



W1 ←

W3 ←

WAGA: 4.0 kg

CONFIDENTIAL
 This drawing is property of
 SYSTEMY I TECHNOLOGIE Sp. z o.o.
 Design and technology included are patented.
 Prohibited any total or partial reproduction
 unless expressly authorized by
 SYSTEMY I TECHNOLOGIE Sp. z o.o.

SYTEC
 SYSTEMY I TECHNOLOGIE Sp. z o.o.
 Ul. Kopalniana 7
 59-100 POLKOWICE-Poland
 TEL.(48)(76)72 34 238 FAX. (48)(76)72 34 216

NAZWA ELEMENTU:
ŁĄCZNIK KASKADOWY
 OZNACZENIE ELEMENTU:
CE/SE30.SC