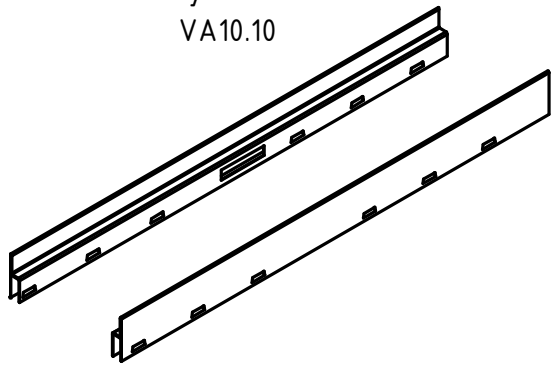
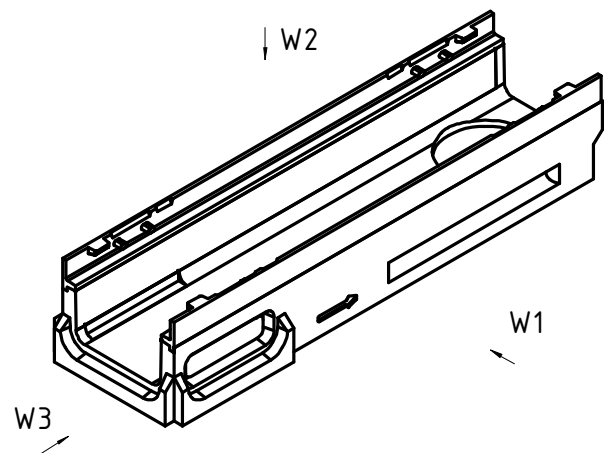
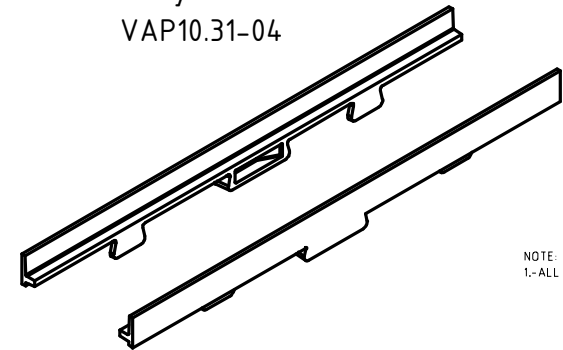


3 - kanał z listwami żeliwnymi  
VA10.31-04S

1 - listwy stalowe  
VA10.10



2 - listwy żeliwne  
VAP10.31-04



NOTE:  
1.- ALL THE DIMENSIONS ARE IN mm.

|  |  |   |
|--|--|---|
| <p>CONFIDENTIAL<br/>This drawing is property of<br/>SYSTEMY I TECHNOLOGIE Sp. z o.o.<br/>Design and technology included are patented<br/>Prohibited any total partial reproduction<br/>unless expressly authorized by<br/>SYSTEMY I TECHNOLOGIE Sp. z o.o.</p> | <p><b>SYTEC</b><br/>SYTEC Sp. z o.o.<br/>Ul. Kopalniana 7<br/>59-100 POLKOWICE-Poland<br/>TEL.(48)17672 34 238 FAX. (48)17672 34 216</p> | <p>NAZWA ELEMENTU:<br/>Kanał</p>          |
|  |  | <p>OZNACZENIE ELEMENTU:<br/>SE10.S00H</p> |