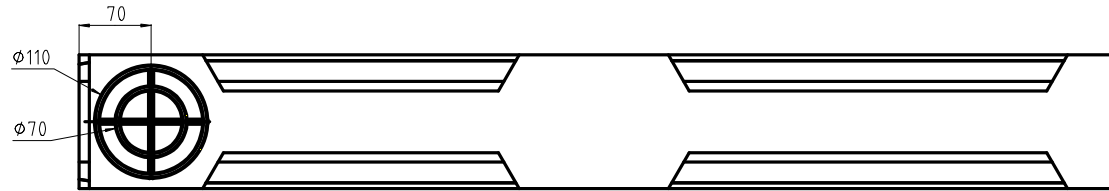
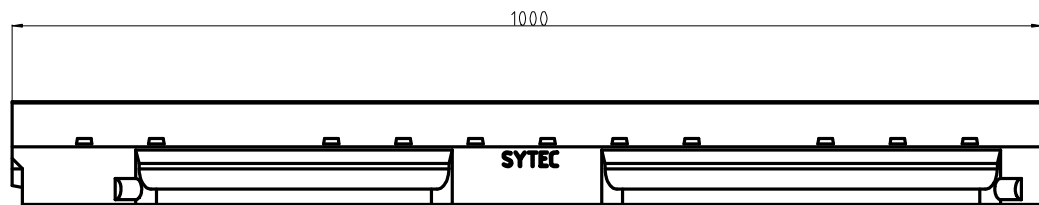


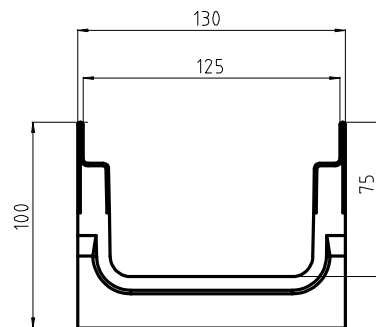
W2



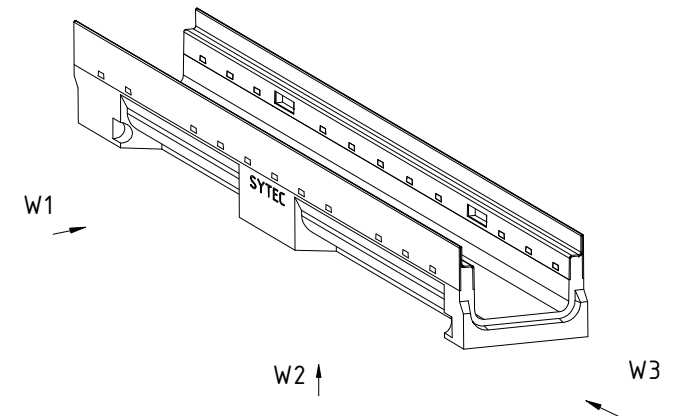
W1



W3



VIEW A-A



WAGA/WEIGHT/ 8.1 kg

CONFIDENTIAL
 This drawing is property of
 SYSTEMY I TECHNOLOGIE Sp. z o.o.
 Design and technology included are patented.
 Prohibited any total or partial reproduction
 unless expressly authorized by
 SYSTEMY I TECHNOLOGIE Sp. z o.o.

SYTEC
 SYSTEMY I TECHNOLOGIE Sp. z o.o.
 Ul. Kopalniana 7
 59-100 POLKOWICE-Poland
 TEL.(48)(76)72 34 238 FAX. (48)(76)72 34 216

NAZWA ELEMENTU: Kanał odwadniający
 /Draining channel/

OZNACZENIE ELEMENTU:
SE10.S00