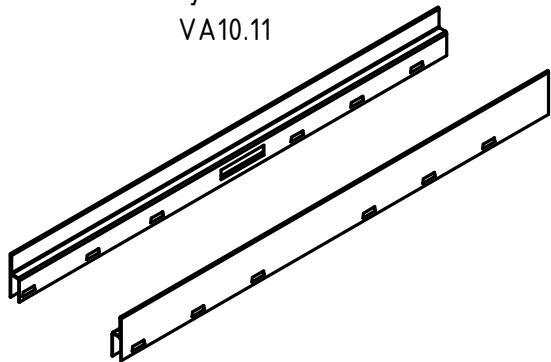


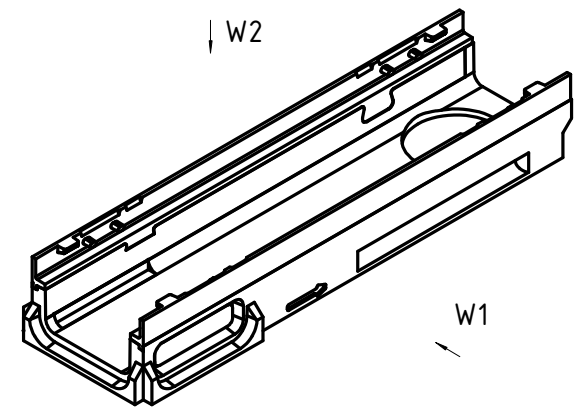
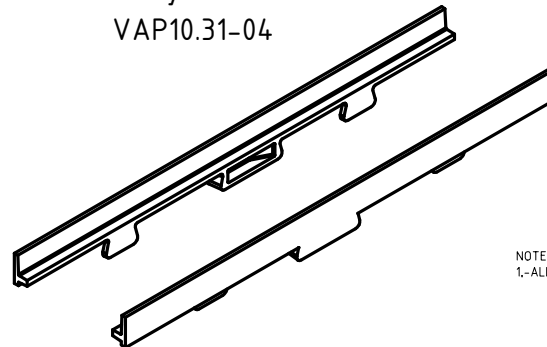
3 - kanał z listwami żeliwnymi
VA10.31-04S

↓ W2

1 - listwy stalowe
VA10.11



2 - listwy żeliwne
VAP10.31-04



NOTE:
1.-ALL THE DIMENSIONS ARE IN mm.

CONFIDENTIAL
This drawing is property of
SYSTEMY I TECHNOLOGIE Sp. z o.o.
Design and technology included are patented
Prohibited any total, partial reproduction
unless expressly authorized by
SYSTEMY I TECHNOLOGIE Sp. z o.o.

SYTEC
SYTEC Sp. z o.o.
Ul. Kopalniana 7
59-100 POLKOWICE-Poland
TEL.(48)(76)72 34 238 FAX.(48)(76)72 34 216

NAZWA ELEMENTU:
Kanał
OZNACZENIE ELEMENTU:
SE10.S00NH