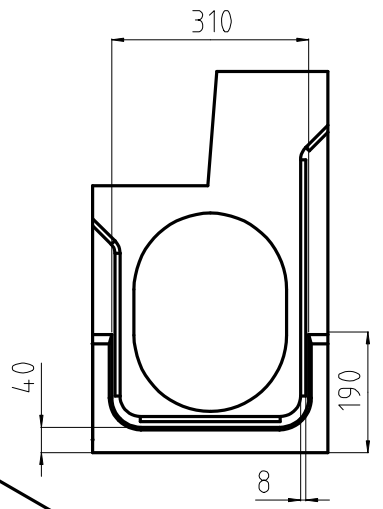


A - A

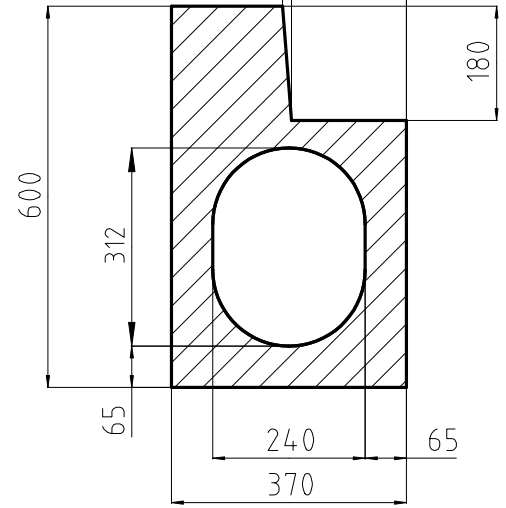


W2

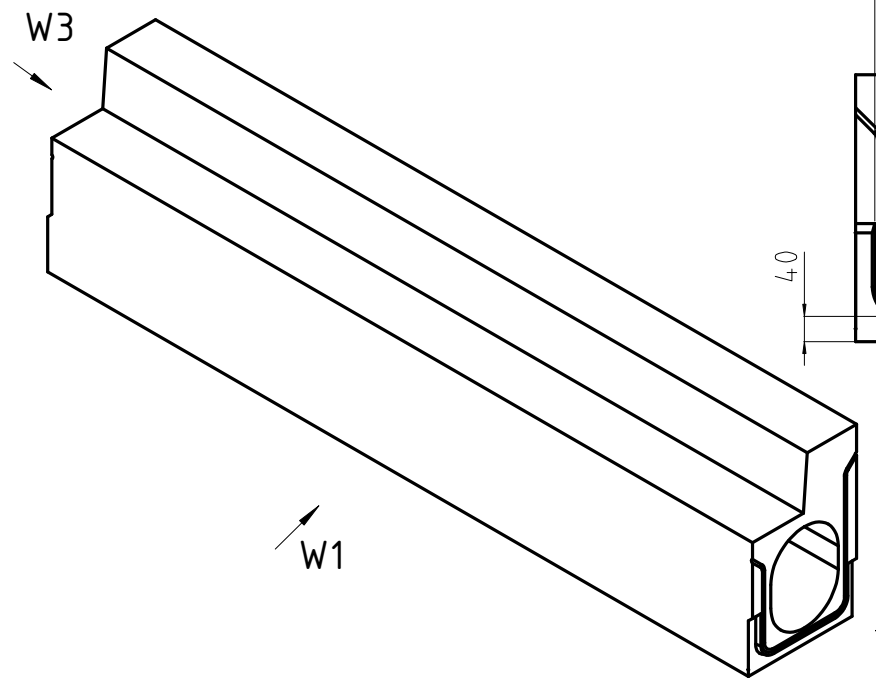
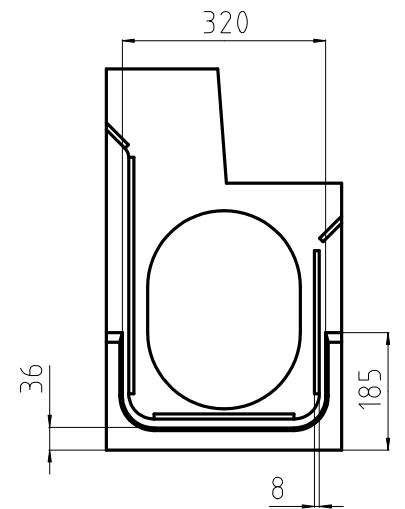


195

181



W3



Waga: 710 kg

<p>CONFIDENTIAL This drawing is property of SYSTEMY I TECHNOLOGIE Sp. z o.o. Design and technology included are patented Prohibited any total partial reproduction unless expressly authorized by SYSTEMY I TECHNOLOGIE Sp. z o.o.</p>	<p>SYTEC SYSTEMY I TECHNOLOGIE Sp. z o.o. Ul. Kopalniana 7 59-100 POLKOWICE-Poland</p>	<p>NAZWA ELEMENTU: Krawężnik bezszczelinowy lewy L=2495</p> <p>OZNACZENIE ELEMENTU: KS.01LA</p>
--	---	---