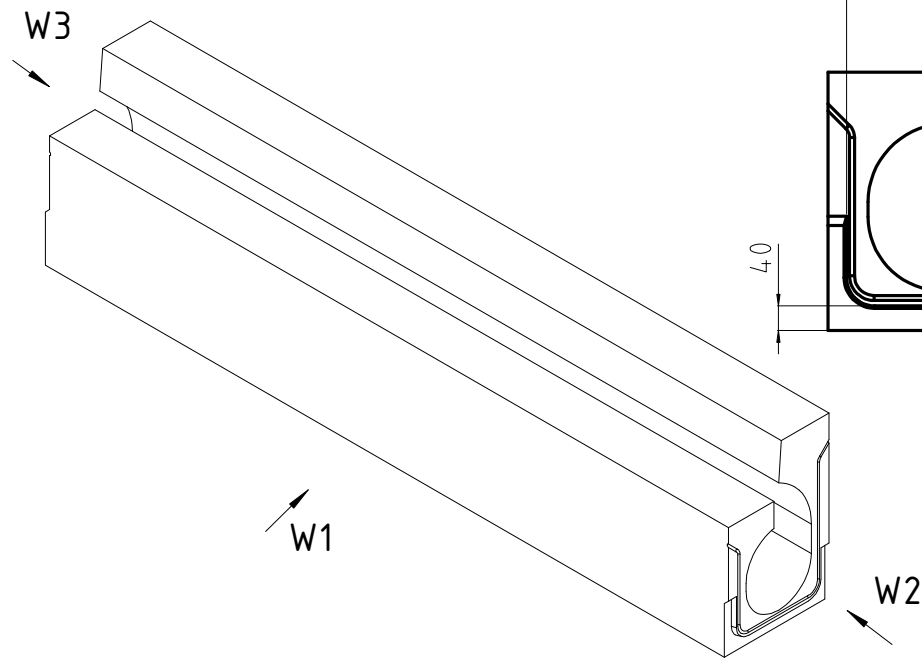
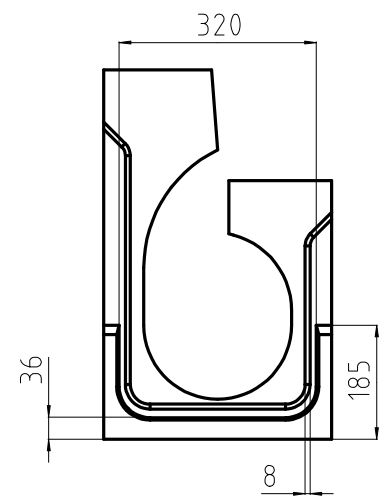
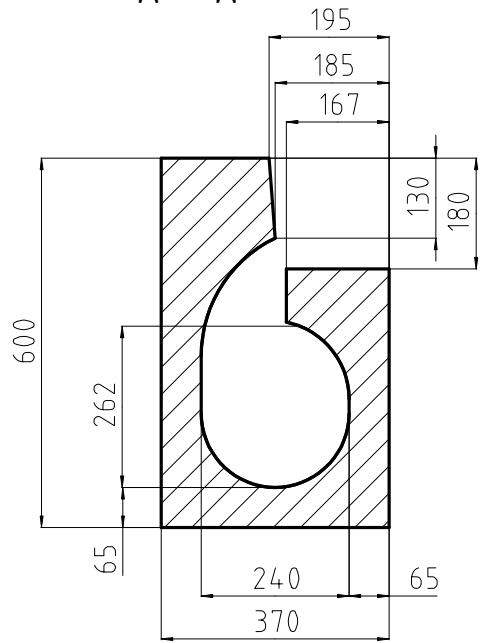
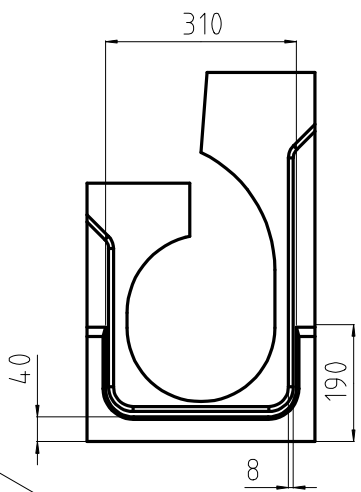


A - A

W2

W3



Waga: 690 kg

<p>CONFIDENTIAL This drawing is property of SYSTEMY I TECHNOLOGIE Sp. z o.o. Design and technology included are patented Prohibited any total partial reproduction unless expressly authorized by SYSTEMY I TECHNOLOGIE Sp. z o.o.</p>	<p>SYTEC SYSTEMY I TECHNOLOGIE Sp. z o.o. Ul. Kopalniana 7 59-100 POLKOWICE-Poland</p>	<p>NAZWA ELEMENTU: Krawężnik szczelinowy lewy L=2495 OZNACZENIE ELEMENTU: KS.01L</p>
--	---	--