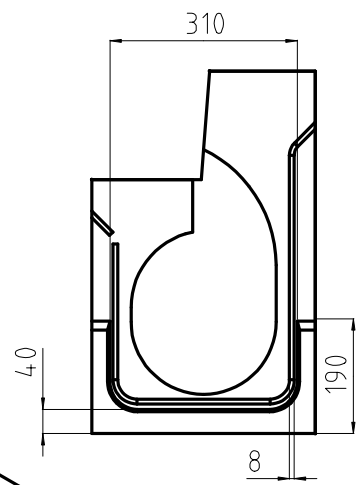
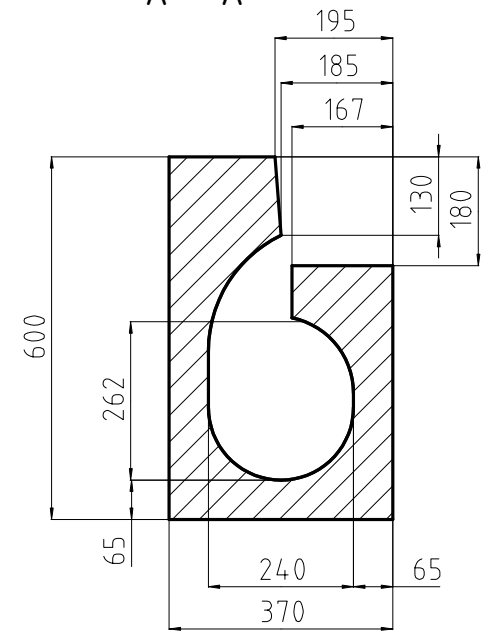


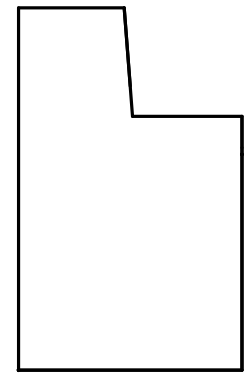
W2



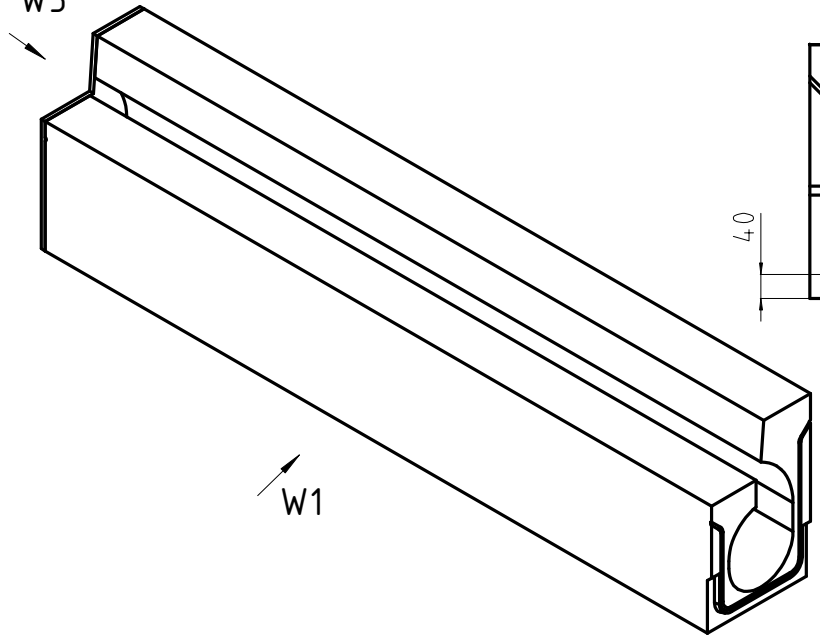
A - A



W3



W3



Waga: 660 kg

<p>CONFIDENTIAL This drawing is property of SYSTEMY I TECHNOLOGIE Sp. z o.o. Design and technology included are patented Prohibited any total partial reproduction unless expressly authorized by SYSTEMY I TECHNOLOGIE Sp. z o.o.</p>	<p>SYTEC SYSTEMY I TECHNOLOGIE Sp. z o.o. Ul. Kopalniana 7 59-100 POLKOWICE-Poland</p>	<p>NAZWA ELEMENTU: Krawężnik szczelinowy lewy L=2495</p>
		<p>OZNACZENIE ELEMENTU: KS.01Lz</p>