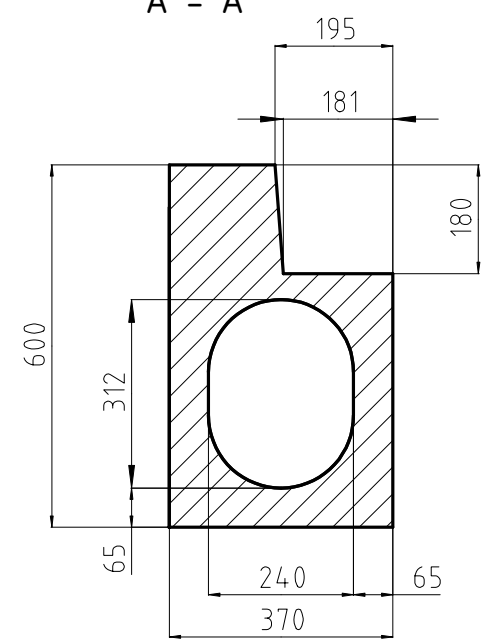
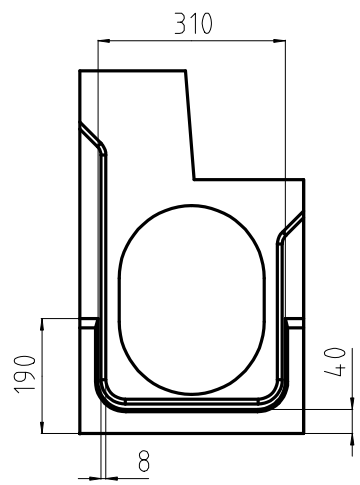
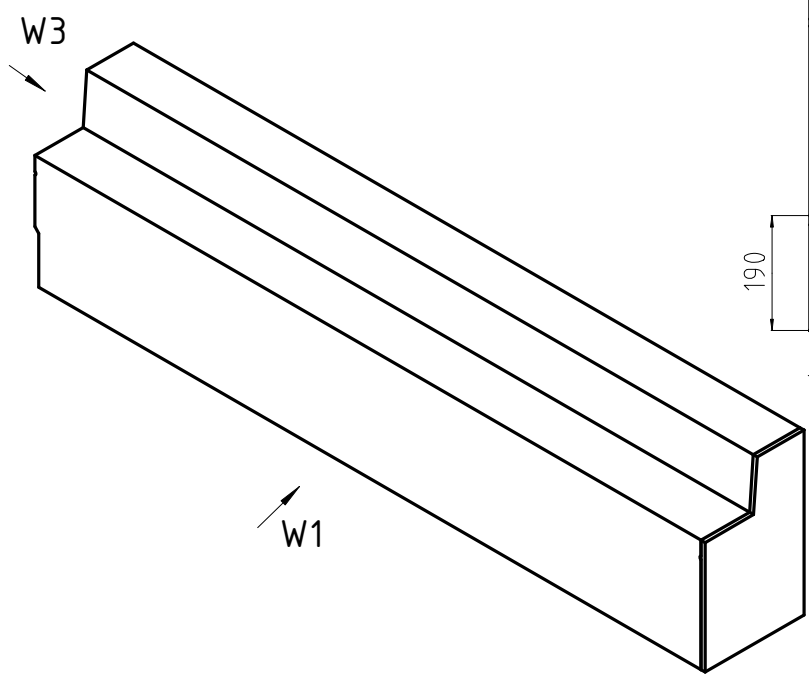


W3

A - A

W2



W2

Weight: 722.4 kg

<p>CONFIDENTIAL This drawing is property of SYSTEMY I TECHNOLOGIE Sp. z o.o. Design and technology included are patented Prohibited any total partial reproduction unless expressly authorized by SYSTEMY I TECHNOLOGIE Sp. z o.o.</p>	<p>SYTEC SYSTEMY I TECHNOLOGIE Sp. z o.o. Ul. Kopalniana 7 59-100 POLKOWICE-Poland</p>	<p>NAME: Kanał bezszczelinowy prawy + Zaślepka SIGNATURE: KS.01RAz</p>
--	---	--