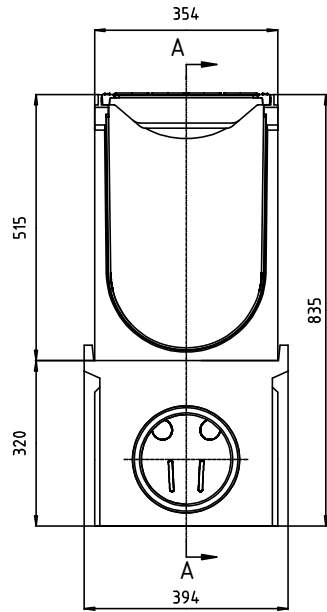
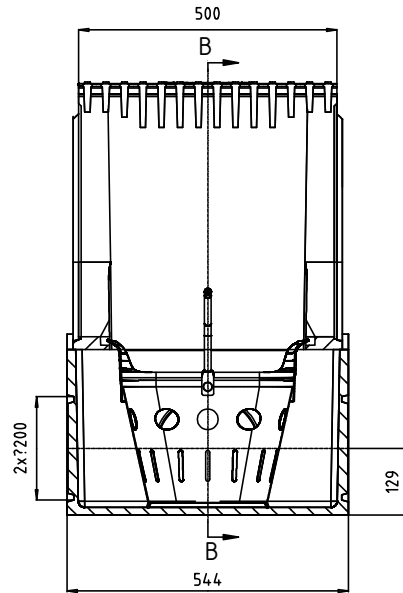


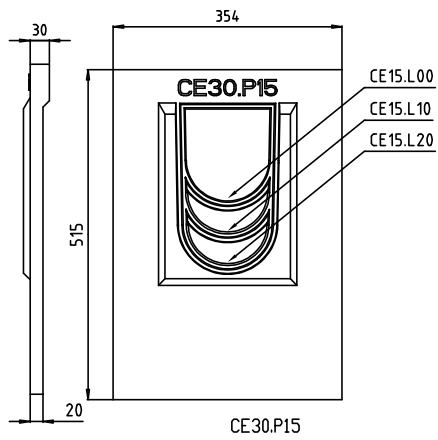
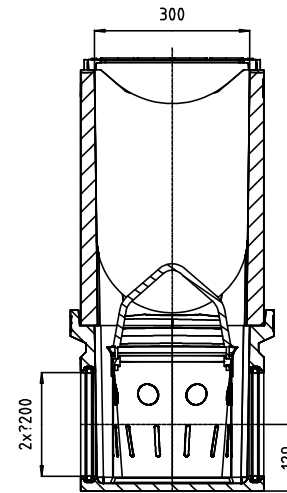
W1



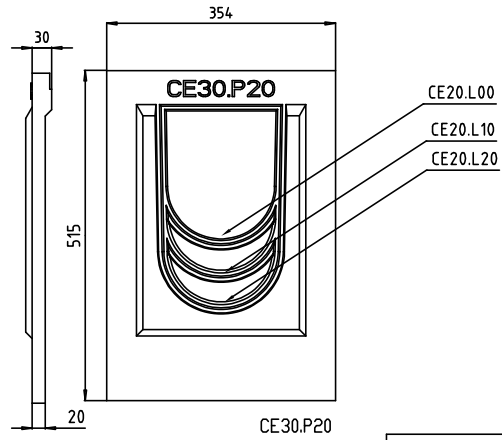
A - A



B - B

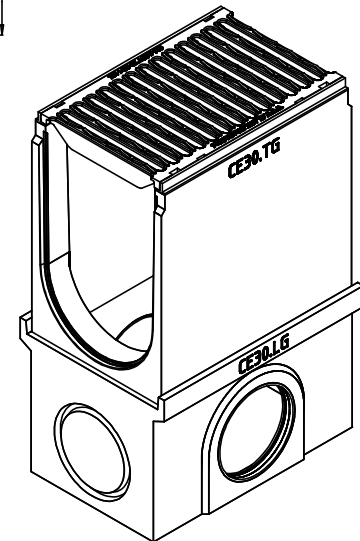


CE30.P15



CE30.P20

W1



CONFIDENTIAL
 This drawing is property of
 SYSTEMY I TECHNOLOGIE Sp. z o.o.
 Design and technology included are patented.
 Prohibited any total or partial reproduction
 unless expressly authorized by
 SYSTEMY I TECHNOLOGIE Sp. z o.o.

SYTEC
 SYSTEMY I TECHNOLOGIE Sp. z o.o.
 Ul. Kopalniana 7
 59-100 POLKOWICE-Poland
 TEL.(48)(76)72 34 238 FAX. (48)(76)72 34 216

NAZWA ELEMENTU:
Studnia uniwersalna
 OZNACZENIE ELEMENTU:
CE30.SG