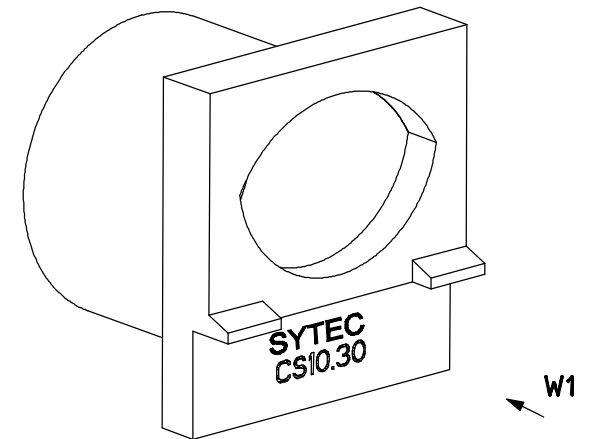
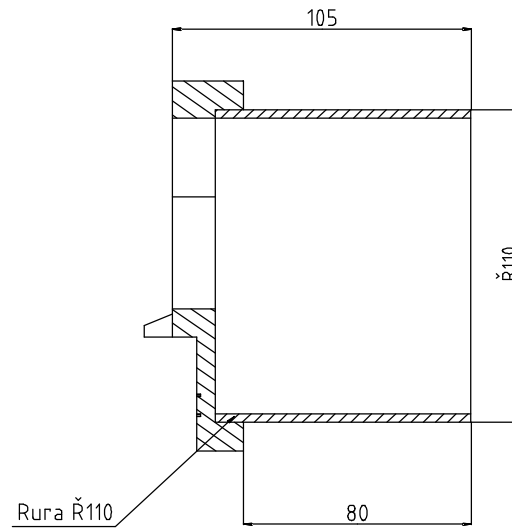
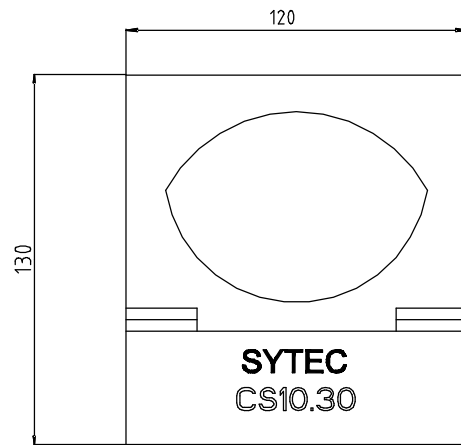


W1



WAGA 0.43 kg

CONFIDENTIAL  
This drawing is property of  
SYSTEMY I TECHNOLOGIE Sp. z o.o.  
Design and technology included are patented.  
Prohibited any total or partial reproduction  
unless expressly authorized by  
SYSTEMY I TECHNOLOGIE Sp. z o.o.

**SYTEC**  
**SYSTEMY I TECHNOLOGIE Sp. z o.o.**  
Ul. Kopalniana 7  
59-100 POLKOWICE-Poland  
TEL.(48)(76)72 34 238 FAX.(48)(76)72 34 216

NAZWA ELEMENTU:  
**Zaślepka odpływowa**  
OZNACZENIE ELEMENTU:  
**CS10.30**